

**NOTES :**

**1.0 PERFORMANCE REQUIREMENTS :**

- 1.1 INPUT POWER 18-32VDC
- 1.2 CHARGE CURRENT - 350mA FOR 45 MINUTES (MAX 650mA FOR 5 MINUTES)
- 1.3 THE POWER BACK UP BOX INCLUDES CAPACITORS THAT ENABLE TO SUPPLY POWER OF ABOUT 150mA TO THE SYSTEM FOR AT LEAST 10 MINUTES, FOLLOWING POWER INTERRUPTION DUE TO COMBAT EVENT OR TECHNICAL MALFUNCTION.
- 1.4 IN ADDITION, THIS BOX INCLUDES A DIRECT ELECTRICAL CONNECTION FROM THE VEHICLE BATTERIES, IN ORDER TO KEEP THE SYSTEM ACTIVE AND OPERABLE FOR ONE HOUR, AFTER THE VEHICLE MAIN POWER SWITCH HAS BEEN TURNED OFF.
- 2.0 ENVIRONMENTAL REQUIREMENTS : THE POWER BACK UP BOX SHALL PERFORM AS SPECIFIED IN NOTE 1 DURING AND AFTER SUBJECTED TO THE FOLLOWING ENVIRONMENTAL TESTS.

- 2.1 OPERATING TEMPERATURE -40°F TO +160°F
- STORAGE TEMPERATURE -67°F TO +160°F

**2.2 ENVIRONMENTAL TESTS**

- HIGH TEMPERATURE : MIL-STD-810E, METHOD 501.3
- LOW TEMPERATURE : MIL-STD-810E, METHOD 502.3 PROCEDURE I & II.
- HUMIDITY : MIL-STD-810E, METHOD 507.3, PROCEDURE III.
- VIBRATION : MIL-STD-810E, METHOD 514.4, TEST PROCEDURE I.
- SHOCK : MIL-STD-810E, METHOD 516.4, PROCEDURE I.
- WATERPROOFNESS : IP66
- DUST : MIL-STD-810E, METHOD 512.3, PROCEDURE I.
- SALT FOG : MIL-STD-810E, METHOD 509.3, PROCEDURE I.

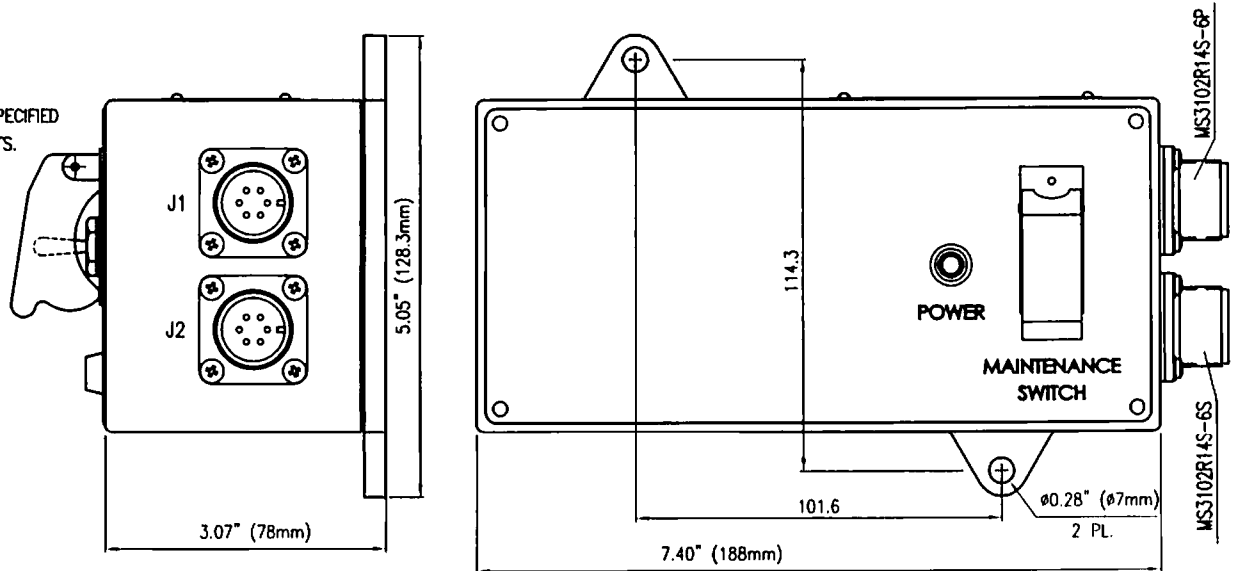
- 2.3 EMI : MIL-STD-461E METHOD RS 102 AND RS 103 (14 KHZ TO 10GHZ)

**3.0 ELECTRICAL COMPLIANCE TESTS**

MIL-STD-1275A

**4.0 MECHANICAL SPECIFICATIONS:**

- WEIGHT - 3.85 LB (1.75Kg)
- ENCLOSURE - ALUMINUM, (WHITE EPOXY FINISH)



**PIN OUT**

- J1 - MS 3102R 14S-6P
  - A - INPUT VOLTAGE 18-32VDC
  - B - RTN
  - C - INPUT VOLTAGE 18-32VDC FROM BATTERY
  - D - RTN
- J2 - MS 3102R 14S-6S
  - A - OUTPUT VOLTAGE 18-32VDC
  - B - RTN
  - C - OUTPUT VOLTAGE 18-32VDC FOR TEST EQUIPMENT
  - D - RTN

WEIGHT -3.85Lb (1.75Kg)

REV	DESCRIPTION	DATE	APPROVAL	ITER	QUAN	PART NO	CAT. NO	DESCRIPTION
B		21.04.09						
A		7.08.08						
REVISIONS								
PARTS LIST								
TOLERANCES		SCALE 1:1		DIMENSIONS ARE IN MM		<b>SPECTREX INC.</b> POWER BACKUP UNIT SIZE C OL-765760 SHEET 1 OF 1		
MM / DEGREES /		TRACER VIDA 11.05.08		SURFACE TEXTURE AS PER ANSI-B46.1				
MATERIAL		DRAWN NELA 11.05.08						
		CHECKED						
		SUBMITTED						
		APPROVED						
NEXT ASSY								